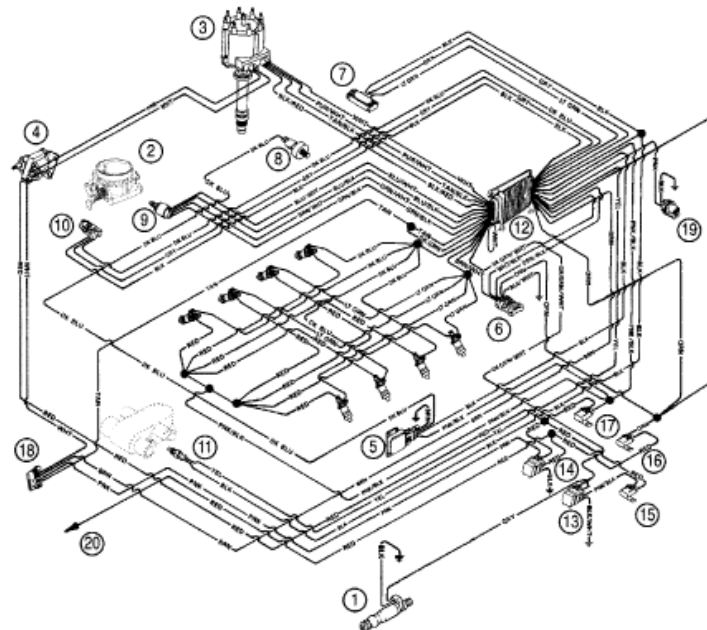


WIRING HARNESS (EFI)



- 1 - Fuel Pump
- 2 - Throttle Body
- 3 - Distributor
- 4 - Coil
- 5 - Electronic Spark Control (KS) Module
- 6 - Data Link Connector (DLC)
- 7 - Manifold Absolute Pressure (MAP) Sensor
- 8 - Knock Sensor
- 9 - Idle Air Control (IAC)
- 10- Throttle Position (TP) Sensor
- 11- Engine Coolant Temperature (ECT) Sensor
- 12- Electronic Control Module (ECM)
- 13- Fuel Pump Relay
- 14- Ignition/System Relay
- 15- Fuse (15 Amp) Fuel Pump
- 16- Fuse (15 Amp) ECM/DLC/Battery
- 17- Fuse (10 Amp) ECM/Injector/Ignition/Knock Module
- 18- Harness Connector To Starting/Charging Harness
- 19- Harness Connector To Lanyard Stop Switch (Optional)
- 20- Positive (+) Power Wire To Engine Circuit Breaker

Parts List

Ref	Class	Part	Description	Qty	Comment	Footnote
-	84	860261A 2	WIRING HARNESS-ENGINE	1	(S/N 0L304549 and Below)	
-	84	861160T 1	WIRING HARNESS-ENGINE	1	(S/N 0L304550 and Up)	